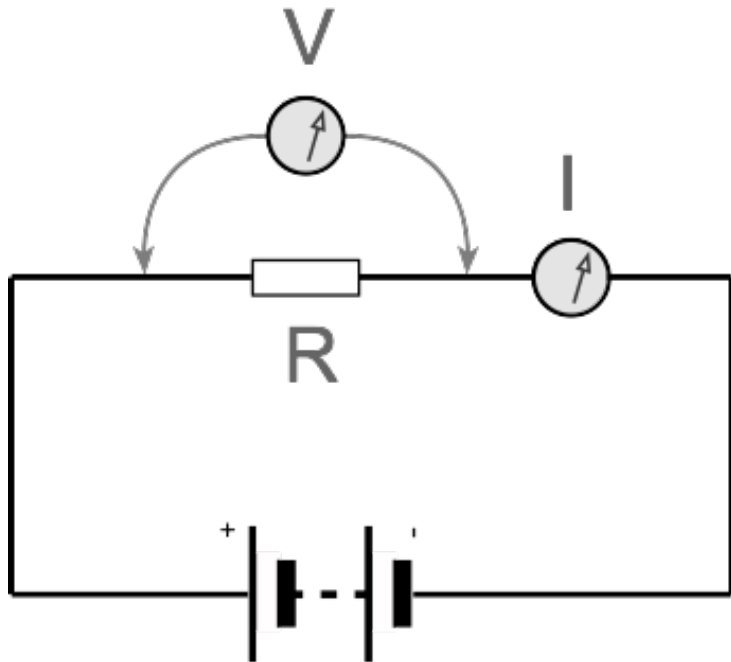


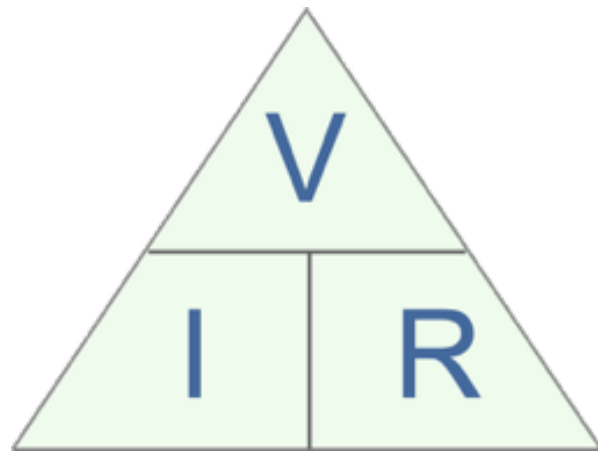
# Ohm's Law

**Ohm's Law** states that the current flowing in a circuit is directly proportional to the applied potential difference and inversely proportional to the resistance in the circuit.



$$V = I R$$

## Ohm's Law Triangle



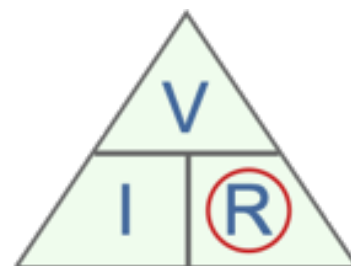
To use the triangle cover up the unknown quantity and then calculate it from the other two. If they are in line they are multiplied, but if one is on top of the other then they should be divided.



$$V = I R$$



$$I = \frac{V}{R}$$



$$R = \frac{V}{I}$$